

ROTARY CYLINDERS

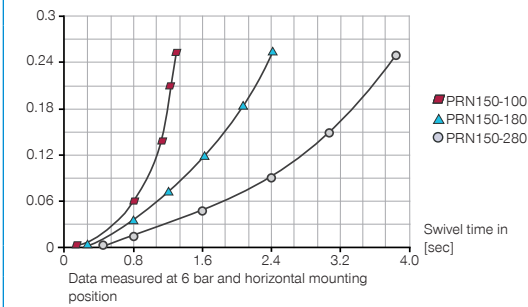
INSTALLATION SIZE PRN150

▶ PRODUCT SPECIFICATIONS



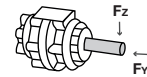
▶ Moment of inertia

[kg m²] Shows the expected swivel time vs the calculated moment of inertia



▶ Forces and moments

Shows the maximum static shaft load.



FY [N]	88
FZ [N]	1170

▶ RECOMMENDED ACCESSORIES



Straight Fittings - Quick Connect Style
GV1-4X8



Flow Control Valves - with Swivel joint
DRV1-4X8



Pressure Safety Valve
DSV1-8



Flange
F150-P



Angle flange
F150-LB

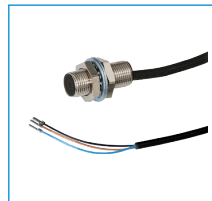
▶ RECOMMENDED ACCESSORY ROTATION LIMITER



Rotation limiter
DB150



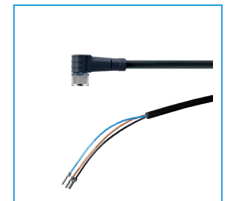
Stop Stroke Adjustment Screws
AI-M10X1-70



Inductive proximity switch - Cable 5 m
NJ12-E2



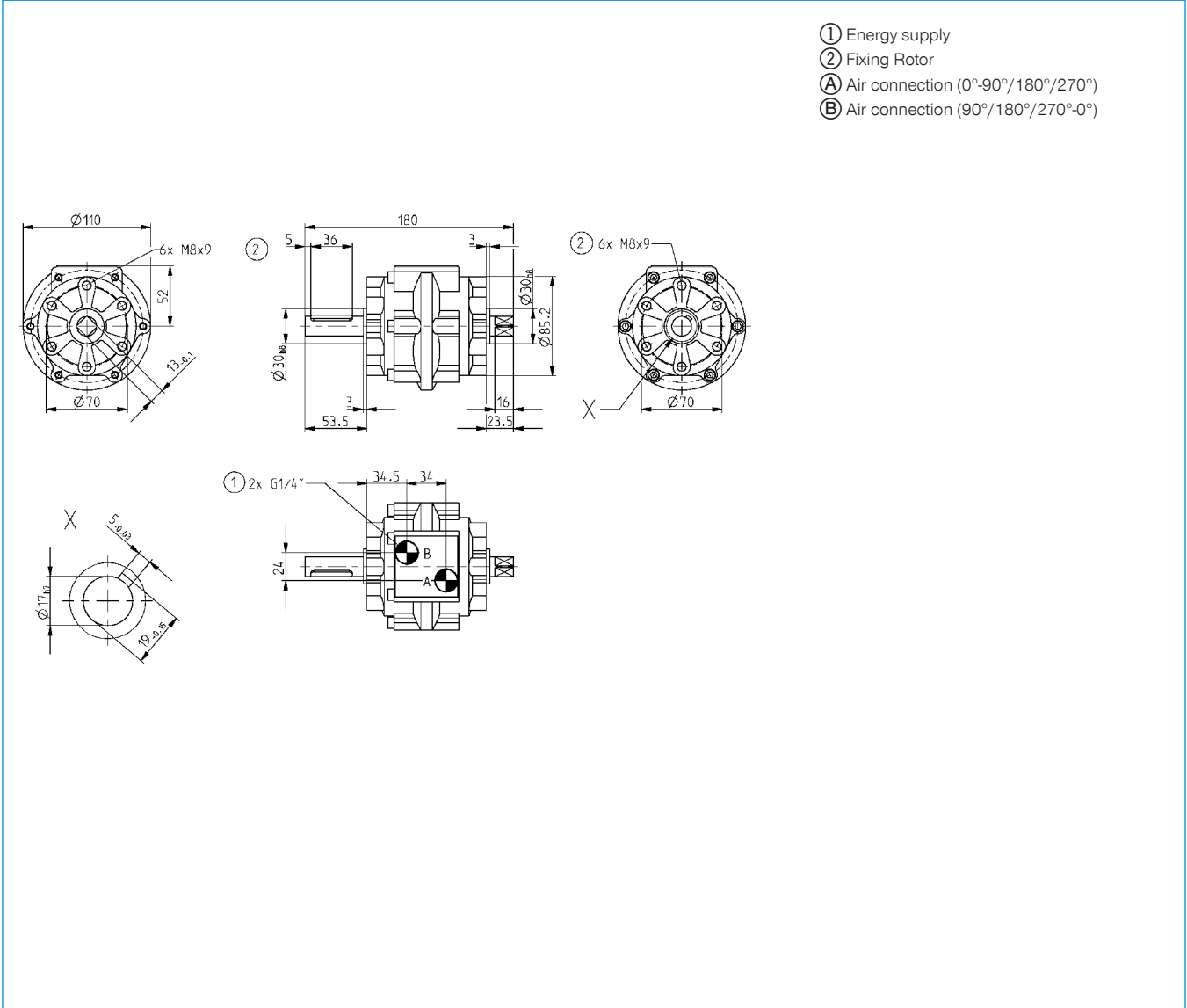
Inductive proximity switch - Connector M8
NJ12-E2S



Plug-in connector Angled Cable 5m - Socket M8 (female)
KAW500

Order no.	► Technical Data*		
	PRN150-90	PRN150-180-B	PRN150-270
Swivel angle [°]	90	180	270
Tolerance swivel angle [°]	0° / +3°	0° / +3°	0° / +3°
Starting Angle [°]	45	45	45
Torque [Nm]	41.5	18	18
Swivel time [s]	0.25	0.38	0.63
Operating pressure min. [bar]	2	2	2
Operating pressure max. [bar]	10	10	10
Operating temperature min. [°C]	5	5	5
Operating temperature max. [°C]	+60	+60	+60
Air volume per cycle [cm³]	246	292	370
Weight [kg]	1.9	1.9	1.6

*All data measured at 6 bar



ROTARY CYLINDERS

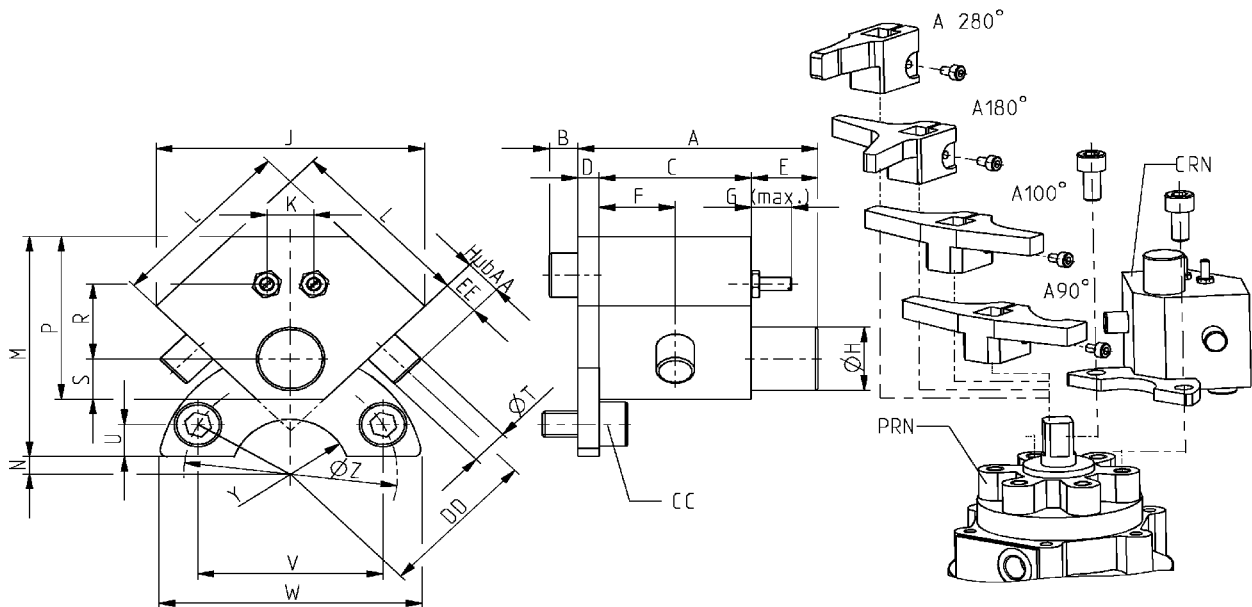
ACCESSORIES SERIES PRN

▶ OIL DAMPER FOR PNEUMATIC ROTOR



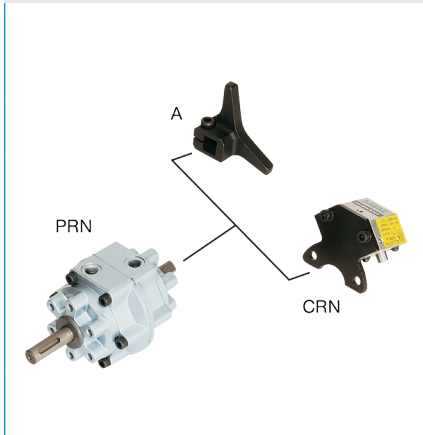
▶ Technical Data

Order no.	CRN50	CRN150	CRN300
suitable for	PRN50	PRN150	PRN300
Brake angle [°]	11	12	14
Energy absorption per stroke max. [Nm]	3	10	20
Energy absorption per stroke max. [Nm/h]	12000	43200	84000
Operating temperature min. [°C]	5	5	5
Operating temperature max. [°C]	50	50	50
Weight [g]	240	420	780



Order no.	A	B	C	D	E	F	G	H	J	K	L	M	N	P	R	S	T	U	V	W	Y	Z	AA	CC	DD	EE
CRN50	[mm]	[mm]	[mm]	[mm]	[mm]	[mm]	[mm]	[mm]	[mm]	[mm]	[mm]	[mm]	[mm]	[mm]	[mm]	[mm]	[mm]	[mm]	[mm]	[mm]	[mm]	[mm]	[mm]	[mm]	[mm]	[mm]
CRN150	50.6	6.0	3.2	4.5	14	16	8.5	Ø14,4	56.6	9.9	40	50	4.0	37	17.0	9.2	Ø8	7.2	39.0	56	R12,5	Ø45	6.5	M6x1x12	34	8
CRN300	62.5	7.2	36	4.5	16	18	8.5	Ø18,4	70.7	11.3	50	62	9.5	49	25.5	11.4	Ø10	8.0	60.6	80	R15,0	Ø70	10.0	M8x1,25x16	46	12
CRN300	62.5	7.2	42	4.5	16	21	12.0	Ø22,5	91.9	12.7	65	87	8.0	61	33.2	14.1	Ø12	12.0	69.2	95	R22,5	Ø80	15.0	M10x1,5x20	62	18

▶ STOP LEVER FOR OIL DAMPER



▶ STOP LEVER PRN50

Order no.	A50-90-B	A50-180-B	A50-270
Swivel angle [°]	90	180	270

▶ STOP LEVER PRN150

Order no.	A150-90-B	A150-180-B	A150-270
Swivel angle [°]	90	180	270

▶ STOP LEVER PRN300

Order no.	A300-90-B	A300-180-B	A300-270
Swivel angle [°]	90	180	270