

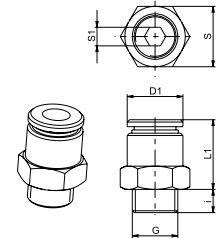
# STRAIGHT FITTINGS - QUICK CONNECT STYLE **ZIMMER** group

## SERIES GV

### ▶ PRODUCT SPECIFICATIONS



- ▶ Cost reduction through quick assembly and disassembly
- ▶ Straight version



#### ▶ Technical Data

Order no.	GVM5	GV1-8X4	GV1-8X6	GV1-8X8	GV1-4X6	GV1-4X8
Fixing thread	M5	G1/8"	G1/8"	G1/8"	G1/4"	G1/4"
Outside-Ø for hose [mm]	4	4	6	8	6	8
Length [mm]	20	19	20	25	21.5	23
Dimension i [mm]	3.5	5	5	5	7	7
Dimension L1 [mm]	16.5	14	15	20	14.5	16
Dimension D1 [mm]	8	10	12	14	12	14
S1 [mm]	2.5	3	4	5	4	6
S [mm]	8	13	13	14	17	17

# ACCESORIES

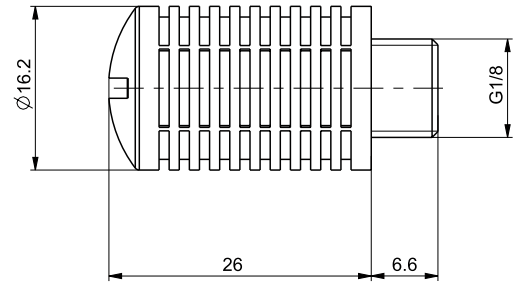
## SERIES SD / GV / WV

### ► SERIES SD - SILENCER



#### ► Special features

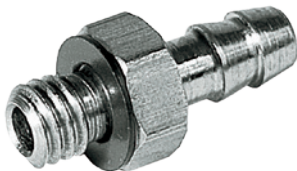
To reduce noise  
For VG1/8 vacuum generator



#### ► Technical Data

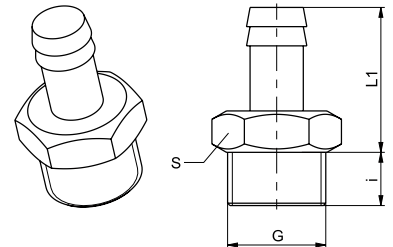
<b>Order no.</b>	<b>SD18KS</b>
Fixing thread	G1/8"

### ► SERIES GV - STRAIGHT FITTINGS - BARB-STYLE CONNECTION



#### ► Special features

For assembling with hose clips  
Straight version



#### ► Technical Data

<b>Order no.</b>	<b>GVM3</b>	<b>GV1-8X5ID</b>	<b>GV1-8X6ID</b>	<b>GV1-8X8ID</b>	<b>GV1-4X8ID</b>
Fixing thread	M3	G1/8"	G1/8"	G1/8"	G1/4"
Inside-Ø for hose [mm]	2	5	6	8	8
Dimension i [mm]	2.7	6	6	6	8
Dimension L1 [mm]	7.2	24	24	24	24.5
S [mm]	4.5	13	13	13	17

#### ► Technical Data

<b>Order no.</b>	<b>GV1-4X10ID</b>	<b>GV3-8X13ID</b>	<b>GV1-2X13ID</b>	<b>GV1-2X16ID</b>
Fixing thread	G1/4"	G3/8"	G1/2"	G1/2"
Inside-Ø for hose [mm]	10	13	13	16
Dimension i [mm]	8	9	10	10
Dimension L1 [mm]	24.5	24.5	25	29.5
S [mm]	17	19	24	24

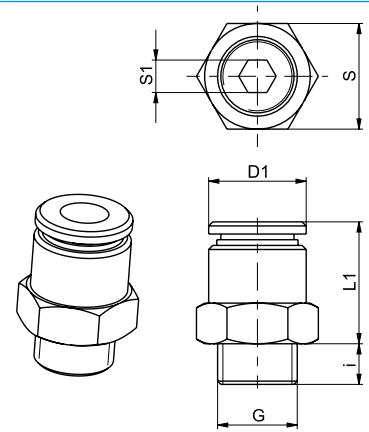
## ► SERIES GV - STRAIGHT FITTINGS - QUICK CONNECT STYLE



### ► Special features

Cost reduction through quick assembly and disassembly

Straight version



### ► Technical Data

Order no.	GVM5	GV1-8X4	GV1-8X6	GV1-8X8	GV1-4X6	GV1-4X8
Fixing thread	M5	G1/8"	G1/8"	G1/8"	G1/4"	G1/4"
Outside-Ø for hose [mm]	4	4	6	8	6	8
Dimension D1 [mm]	8	10	12	14	12	14
Dimension i [mm]	3.5	5	5	5	7	7
Dimension L1 [mm]	16.5	14	15	20	14.5	16
S [mm]	8	13	13	14	17	17
S1 [mm]	2.5	3	4	5	4	6

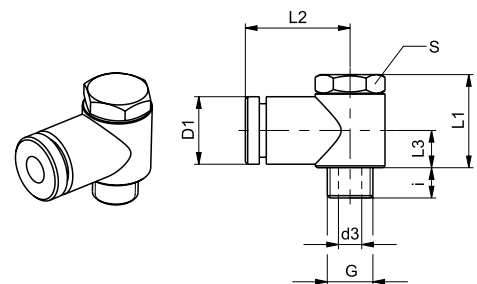
## ► WV SERIES - ANGLED FITTINGS- QUICK CONNECT STYLE



### ► Special features

Cost reduction through quick assembly and disassembly

Angled and swivel-mounted



### ► Technical Data

Order no.	WVM5	WV1-8X4	WV1-8X6	WV1-8X8	WV1-4X6	WV1-4X8
Fixing thread	M5	G1/8"	G1/8"	G1/8"	G1/4"	G1/4"
Outside-Ø for hose [mm]	4	4	6	8	6	8
Dimension D1 [mm]	8	10	12	14	12	14
Dimension d3 [mm]	2	5	5	5	7	7
Dimension i [mm]	4	6.5	6.5	6.5	8	8
Dimension L1 [mm]	14	20	20	20	21	21
Dimension L2 [mm]	17	20.5	21.5	23.5	23.5	25.5
Dimension L3 [mm]	5.3	8	8	8	8	8
S [mm]	8	14	14	14	17	17
S4 [mm]	9	14	14	14	18	18